

Leading - edge Technology

High Yields

- ▶ Power rating up to 80kW
- ▶ Max. efficiency up to 99%
- ▶ 6 MPPTs, fits to hilly ground and larger rooftop

Smart

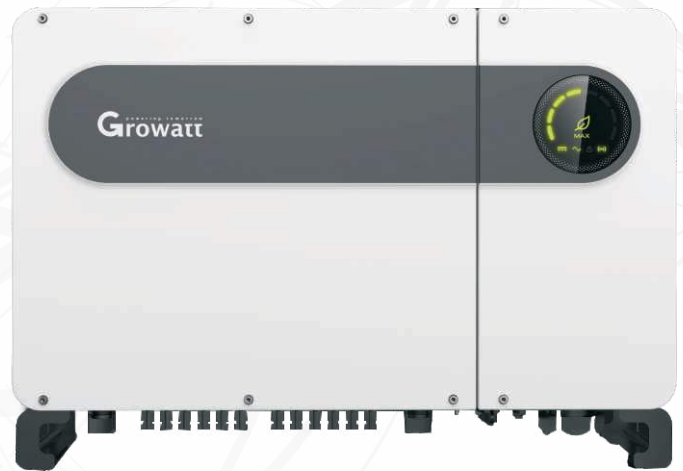
- ▶ DC and AC power supply, 24h monitoring
- ▶ Smart string I-V diagnosis, active string problem detective
- ▶ Reactive compensation, no need SVG device
- ▶ Comprehensive grid power quality detect, smart optimize grid power quality

Safe&Reliable

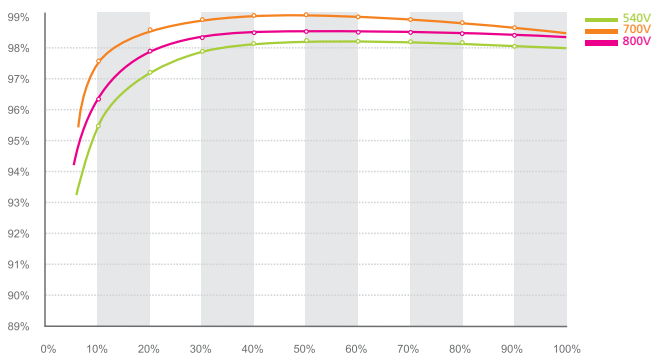
- ▶ Type II surge arrester for both DC and AC
- ▶ Integrated Anti-PID and AFCI function optional
- ▶ IP65 protection degree

Easy Maintenance

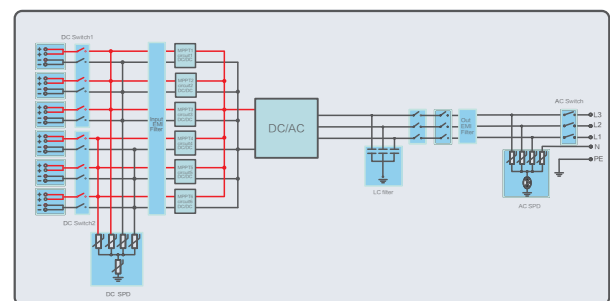
- ▶ 12 strings intelligent monitoring, and fast trouble-shooting
- ▶ Smart local and remote maintenance, saving service time and cost



MAX 80KTL3 LV efficiency



MAX 50-80k TL3 LV topology



Datasheet	MAX 50KTL3 LV	MAX 60KTL3 LV	MAX 70KTL3 LV	MAX 80KTL3 LV
Input Data				
Max.DC power	65000W	78000W	91000W	104000W
Max.DC voltage	1100V	1100V	1100V	1100V
Start Voltage	250V	250V	250V	250V
PV voltage range	200V-1000V	200V-1000V	200V-1000V	200V-1000V
Nominal voltage	585V	585V	600V	685V
Full load DC voltage range	500V-850V	520V-850V	600V-850V	685V-850V
Max. input current per MPPT	22A	22A	22A	22A
Number of MPP trackers / strings per MPP tracker	6/2	6/2	6/2	6/2
Output (AC)				
Rated AC output power	50000W	60000W	70000W	80000W
Max. AC apparent power	55500VA	66600VA	77700VA	88800VA
Max. output current	80A	96.6A	112.7A	129A
AC nominal voltage	230V/400V	230V/400V	230V/400V	230V/400V
AC grid frequency	50Hz/60Hz	50Hz/60Hz	50Hz/60Hz	50Hz/60Hz
Power factor	0.8leading ...0.8lagging	0.8leading ...0.8lagging	0.8leading ...0.8lagging	0.8leading ...0.8lagging
THDi	<3%	<3%	<3%	<3%
AC grid connection type	3W+N+PE	3W+N+PE	3W+N+PE	3W+N+PE
Efficiency				
Max. efficiency	99%	99%	99%	99%
Euro - eta	98.5%	98.5%	98.5%	98.5%
MPPT efficiency	99.9%	99.9%	99.9%	99.9%
Protection Devices				
DC reverse polarity protection	yes	yes	yes	yes
DC Switch	yes	yes	yes	yes
AC Switch	opt	opt	opt	opt
DC Surge protection	Type II	Type II	Type II	Type II
Ground fault monitoring	yes	yes	yes	yes
Output short circuit protection	yes	yes	yes	yes
AC Surge protection	Type II	Type II	Type II	Type II
String fault monitoring	yes	yes	yes	yes
Anti-PID protection	yes	yes	yes	yes
AFCl protection	opt	opt	opt	opt
General Data				
Dimensions (W / H / D)	870/580/290mm	870/580/290mm	870/580/290mm	870/580/290mm
Weight	82kg	82kg	82kg	82kg
Operating temperature range	-25°C ... +60°C	-25°C ... +60°C	-25°C ... +60°C	-25°C ... +60°C
Noise emission (typical)	≤55dB(A)	≤55dB(A)	≤55dB(A)	≤55dB(A)
Self-Consumption (night)	< 1W	< 1W	< 1W	< 1W
Topology	Transformerless	Transformerless	Transformerless	Transformerless
Cooling concept	Smart cooling	Smart cooling	Smart cooling	Smart cooling
Environmental Protection Rating	IP65	IP65	IP65	IP65
Altitude	4000m	4000m	4000m	4000m
Relative Humidity	0-100%	0-100%	0-100%	0-100%
Features				
Display	LED/WIFI+APP	LED/WIFI+APP	LED/WIFI+APP	LED/WIFI+APP
Interfaces: USB/R485/GPRS/PLC	yes / yes / opt / opt	yes / yes / opt / opt	yes / yes / opt / opt	yes / yes / opt / opt
Warranty:5 years / 10 years	yes / opt	yes / opt	yes / opt	yes / opt
Certificates and Approvals				